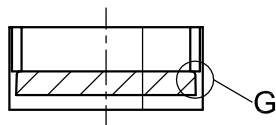
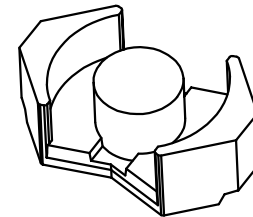
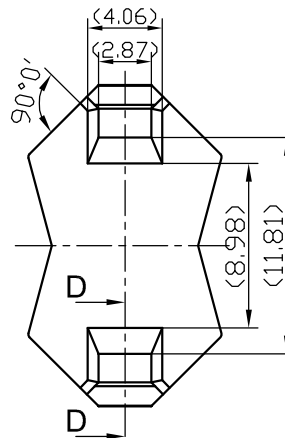
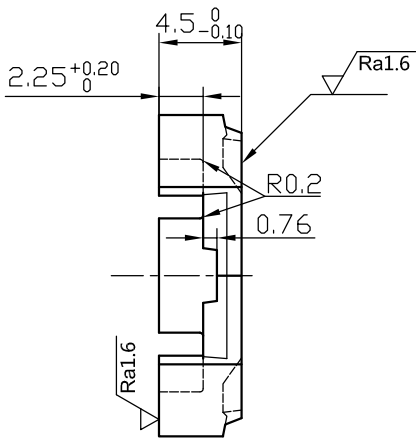
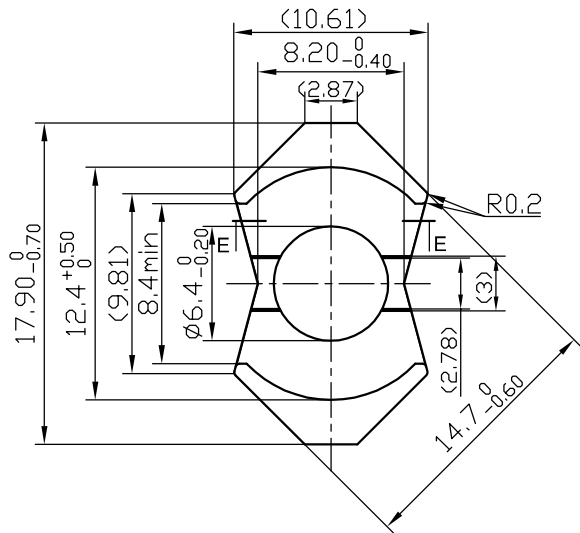
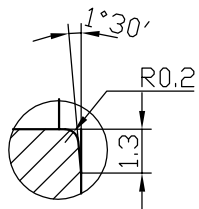


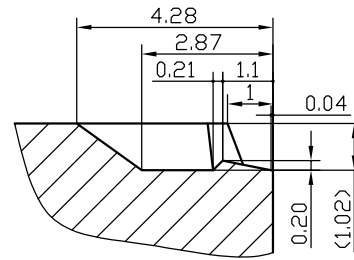
REVISION HISTORY			
Rev	DESCRIPTION	DATE	APPROVED



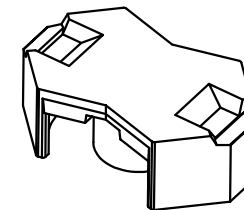
Section E-E



Detail G



Section D-D



	Scale	Material	Customer Part number	
	2.5:1		Product Name	
Unit:	Standard tolerances	RM-6S-9		
mm	±0.1	Approved by	Created by	Document type
		Y.Higuchi	H.Huang	Production drawing
		Rev	Drawing No.	
		00	PY170707M11	
Hitachi Metals (Hong kong) Ltd. Panyu Factory			Date of issue	Sheet
			JUL 07 2017	1/1